



DENTON VACUUM Desk[®] IV

*The sample preparation unit
for Electron Microscopy*

Qualitative analysis of data from an Electron Microscope demands that samples are correctly and consistently prepared. Denton offers this confidence based on over 40 years of thin film experience. The robust and reliable Desk[®] IV is the latest in the series of units favored by microscopists worldwide

Sputter Coater Features

- Pumping System Enclosed within Cabinet
- Short Deposition Times
- Consistent Deposition Parameters
- Color Touchpad with Graphics Capabilities
- Film Thickness Control
- Etch Mode for Sample Cleaning
- Wide Variety of Target Materials Available
- Further Options Available



- **Reliability**
- **Consistency**
- **Ease-of-use**
- **Options available**

Better sample preparation means better results from your Electron Microscope

Desk® IV for Electron Microscopy

SEM

TEM

FE-SEM

The Desk® IV is a totally self-contained unit - The 60 lpm mechanical pump with exhaust filter is fitted within the system cabinet, directly below the deposition chamber. This arrangement assures superior and faster operation while freeing up valuable laboratory space.

The Desk® IV provides a uniform, conductive, fine-grained 100Å coating in a coating cycle under three minutes. The advanced design magnetron sputterhead, in conjunction with the patented anode grid, prevents electron bombardment of the specimen for truly cold sputtering.

System Configurations

Desk IV

- 6" OD Pyrex Chamber
- Sputters Precious Metals
- Does Not Require Gas

Desk IV XLS

- 10" OD Pyrex Chamber
- 6" or 8" Rotating Stage
- Sputters Precious Metals
- Does Not Require Gas

Desk IV TSC

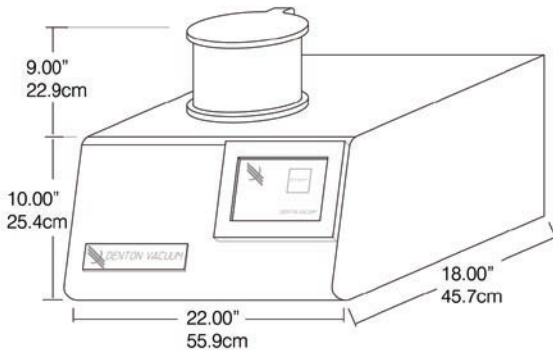
- 6" OD Steel Chamber w/ Viewport
- Turbo Pumped
- Capable of Sputtering All Metals
- Finer Grain Films
- Requires Gas

Each system comes with customer choice of a Gold or Gold-Palladium target.

Options Available for All Models

- Film Thickness Monitor
- Carbon Evaporation Accessory (Rods or Yarn)
- Rotation
- Tilt & Rotation

Dimensions



Specifications

Electrical for Desk® IV and XLS: 120V/60Hz/10A
220V/50Hz/5A

for TSC: 120V/60Hz/15A
220V/50Hz/10A

Recommended Gas: Argon, 5 psig, 99.99%

Weight for Desk® IV and XLS: Unit: 95 lbs/43 kg
Shipping: 120 lbs/54 kg

for TSC: Unit: 110 lbs/50 kg
Shipping: 130 lbs/59 kg



DENTON VACUUM

1259 North Church St., Moorestown, NJ 08057 USA
Email: info@dentonvacuum.com
Toll Free: 888/336-8661

USA (Tel) 856/439-9100 +44 1858 463995 +86 10 6310 8196
(Fax) 856/439-9111 +44 1858 468553 +86 10 6310 8197

UK
China
www.dentonvacuum.com

Engineering Solutions for Thin Film Applications

